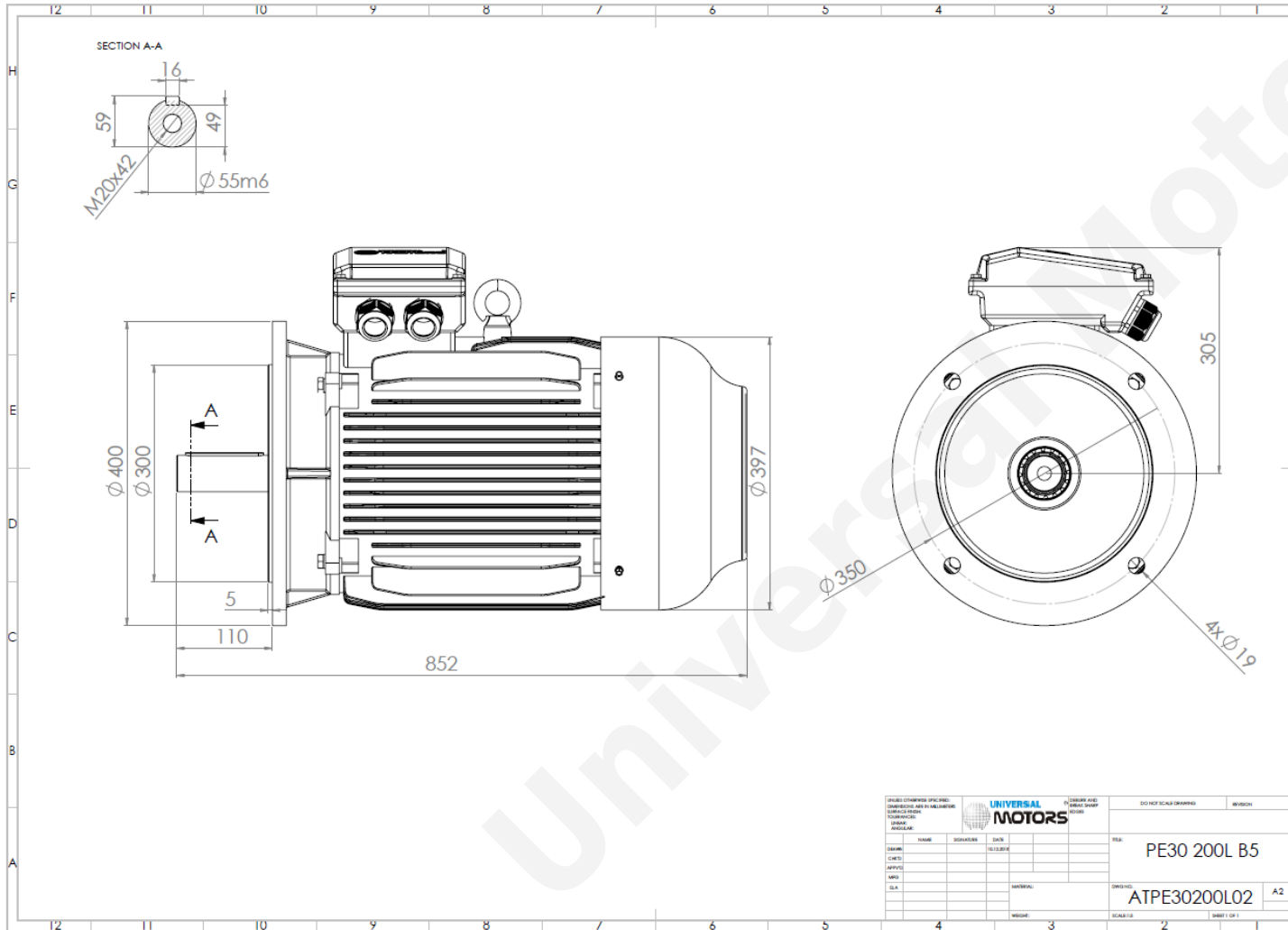


TECHNICAL DATA

Three Phase Electric Motors - Cast Iron Frame
 UM3C 200LX-2 IE3
 37 kW / 50 Cv
 2970 RPM



Motor type:	UM3C 200LX-2 IE3
Output:	37 kW / 50 Cv
Speed (min ⁻¹):	2970 RPM
Voltage:	400 V
Frequency:	50 Hz
Current:	64 A
Power factor (Cos Ø):	0.89
Poles:	2
Insulation class:	F
Temperature rise Class:	B
Efficiency 50%:	92.6 %
Efficiency 75%:	93.9 %
Efficiency 100%:	93.7 %
Torque:	119 N.m
Tstarting/Tnominal:	2.0
Istarting/Inominal:	7.6
Tmaximum/Tnominal:	2.3
Noise:	84 Db(A)
Weight:	273 Kg
Bearing DE:	6312 C3
Bearing NDE:	6312 C3

UNIVERSAL MOTORS		DO NOT SCALE DRAWING		REVISION
DESIGN	NAME	DATE	BY	PE30 200L B5
CHECK	DESIGNER	DATE	BY	
APPROVE	ENGINEER	DATE	BY	
SCALE	MATERIAL	DRWING NO.	SCALE	ATPE30200L02 A2
		REVISION	SCALE	SHEET 1 OF 1

Regime - S1

Altitude - 1000m

Environment Temperature - 40°C

CONTACTS:

Universal Motors UK, Ltd
 Unit E2, Meltham Mills Industrial Estate, Meltham Mills Road, Meltham, Holmfirth
 West Yorkshire HD9 4AR, U.K

Tel: +44(0) 1484 660 222

Fax: +44(0) 1484 660 333

Mail: enquiries@universalmotors-group.co.uk

* References applied only in the UK