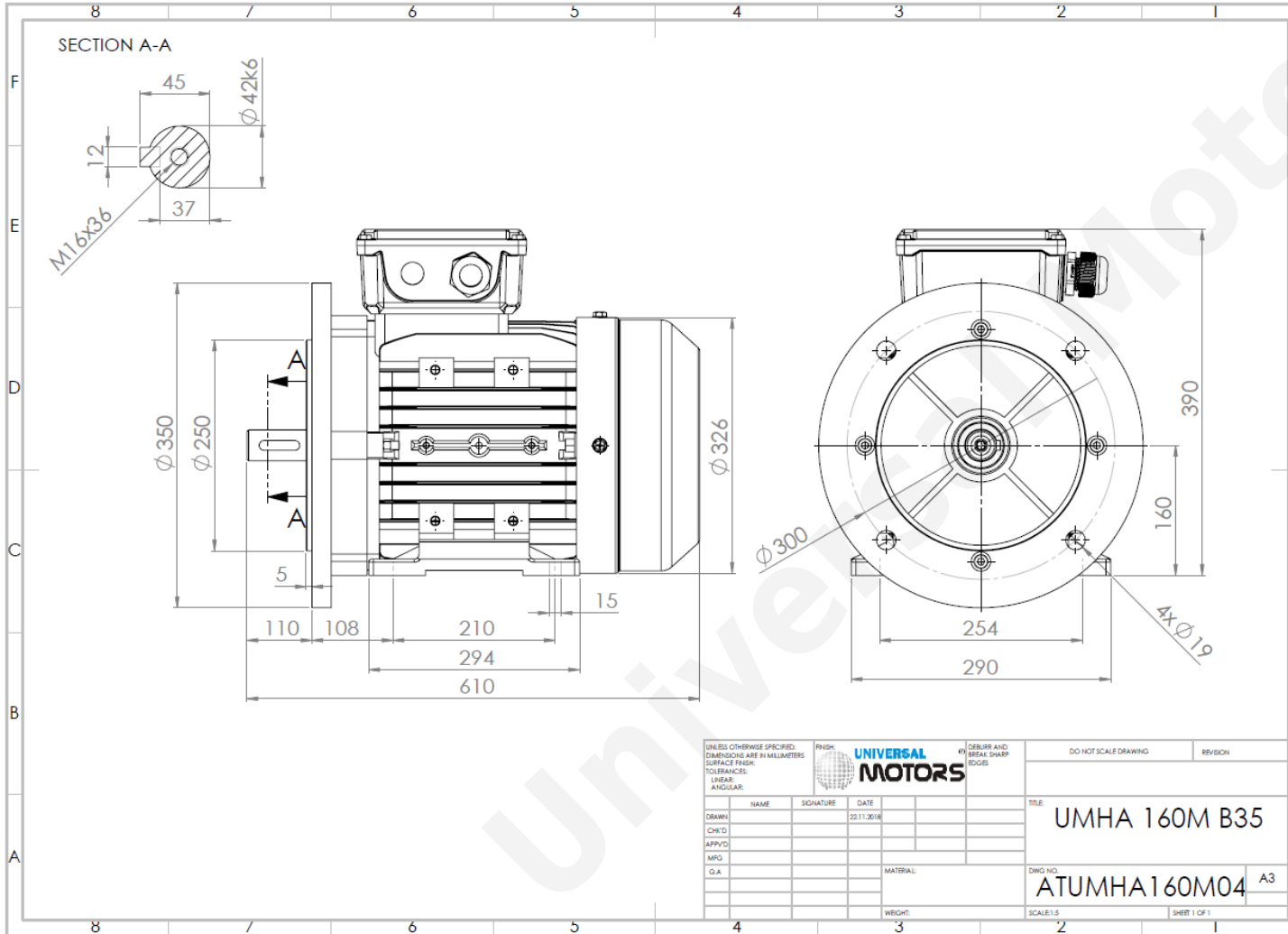


TECHNICAL DATA

Three Phase Electric Motors - Aluminum Frame
 UMHA 160M-4 IE2
 11 kW / 15 Cv
 1460 RPM



Motor type:	UMHA 160M-4 IE2
Output:	11 kW / 15 Cv
Speed (min ⁻¹):	1460 RPM
Voltage:	400 V
Frequency:	50 Hz
Current:	21.0 A
Power factor (Cos Ø):	0.84
Poles:	4
Insulation class:	F
Temperature rise Class:	B
Efficiency 50%:	89.9 %
Efficiency 75%:	89.9 %
Efficiency 100%:	89.8 %
Torque:	72.0 N.m
Tstarting/Tnominal:	2.0
Istarting/Inominal:	7.5
Tmaximum/Tnominal:	2.3
Noise:	77 Db(A)
Weight:	90.0 Kg
Bearing DE:	6309 2Z C3
Bearing NDE:	6309 2Z C3

Regime - S1

Altitude - 1000m

Environment Temperature - 40°C

CONTACTS:

Universal Motors UK, Ltd
 Unit E2, Meltham Mills Industrial Estate, Meltham Mills Road, Meltham, Holmfirth
 West Yorkshire HD9 4AR, U.K

Tel: +44(0) 1484 660 222

Fax: +44(0) 1484 660 333

Mail: enquiries@universalmotors-group.co.uk

* References applied only in the UK