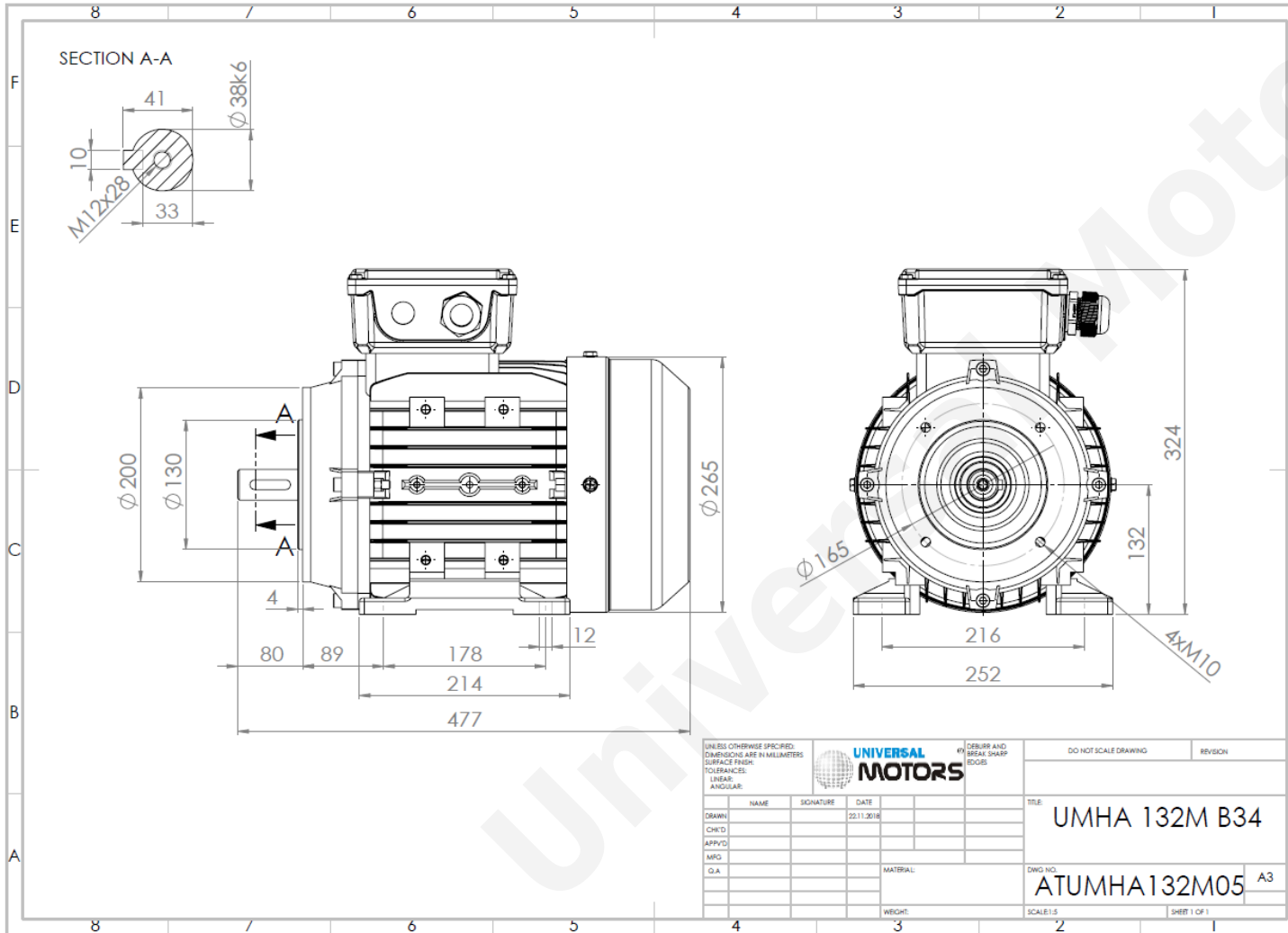


TECHNICAL DATA

Three Phase Electric Motors - Aluminum Frame
UMHA 132M-4 IE2
7.5 kW / 10 Cv
1455 RPM



Motor type:	UMHA 132M-4 IE2
Output:	7.5 kW / 10 Cv
Speed (min ⁻¹):	1455 RPM
Voltage:	400 V
Frequency:	50 Hz
Current:	14.7 A
Power factor (Cos Ø):	0.83
Poles:	4
Insulation class:	F
Temperature rise Class:	B
Efficiency 50%:	88.7 %
Efficiency 75%:	88.9 %
Efficiency 100%:	88.7 %
Torque:	49.2 N.m
Tstarting/Tnominal:	2.0
Istarting/Inominal:	7.4
Tmaximum/Tnominal:	2.3
Noise:	75 Db(A)
Weight:	59.5 Kg
Bearing DE:	6308 2Z C3
Bearing NDE:	6308 2Z C3

Regime - S1

Altitude - 1000m

Environment Temperature - 40°C

CONTACTS:

Universal Motors UK, Ltd
Unit E2, Meltham Mills Industrial Estate, Meltham Mills Road, Meltham, Holmfirth
West Yorkshire HD9 4AR, U.K

Tel: +44(0) 1484 660 222
Fax: +44(0) 1484 660 333

Mail: enquiries@universalmotors-group.co.uk

* References applied only in the UK