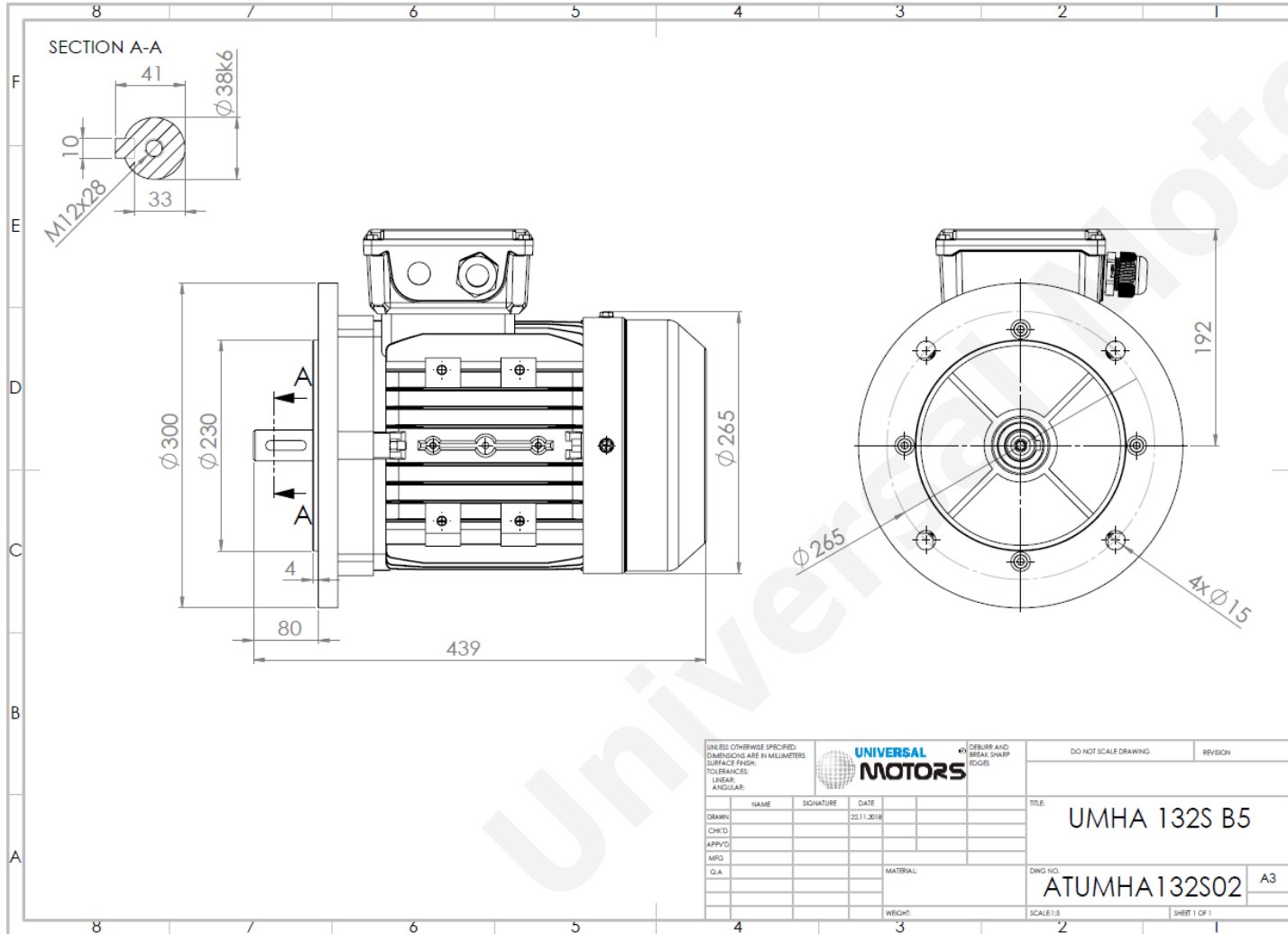


TECHNICAL DATA

Three Phase Electric Motors - Aluminum Frame
UMHA 132S-2 IE2
5.5 kW / 7.5 Cv
2920 RPM



Motor type:	UMHA 132S-2 IE2
Output:	5.5 kW / 7.5 Cv
Speed (min^{-1}):	2920 RPM
Voltage:	400 V
Frequency:	50 Hz
Current:	10.4 A
Power factor ($\text{Cos } \phi$):	0.88
Poles:	2
Insulation class:	F
Temperature rise Class:	B
Efficiency 50%:	86.4 %
Efficiency 75%:	87.4 %
Efficiency 100%:	87.0 %
Torque:	18.0 N.m
Tstarting/Tnominal:	2.2
Istarting/Inominal:	8.0
Tmaximum/Tnominal:	2.3
Noise:	85 Db(A)
Weight:	45.0 Kg
Bearing DE:	6308 2Z C3
Bearing NDE:	6308 2Z C3

Regime - S1

Altitude - 1000m

Environment Temperature - 40°C

CONTACTS:

Universal Motors UK, Ltd
Unit E2, Meltham Mills Industrial Estate, Meltham Mills Road, Meltham, Holmfirth
West Yorkshire HD9 4AR, U.K

Tel: +44(0) 1484 660 222
Fax: +44(0) 1484 660 333

Mail: enquiries@universalmotors-group.co.uk

* References applied only in the UK