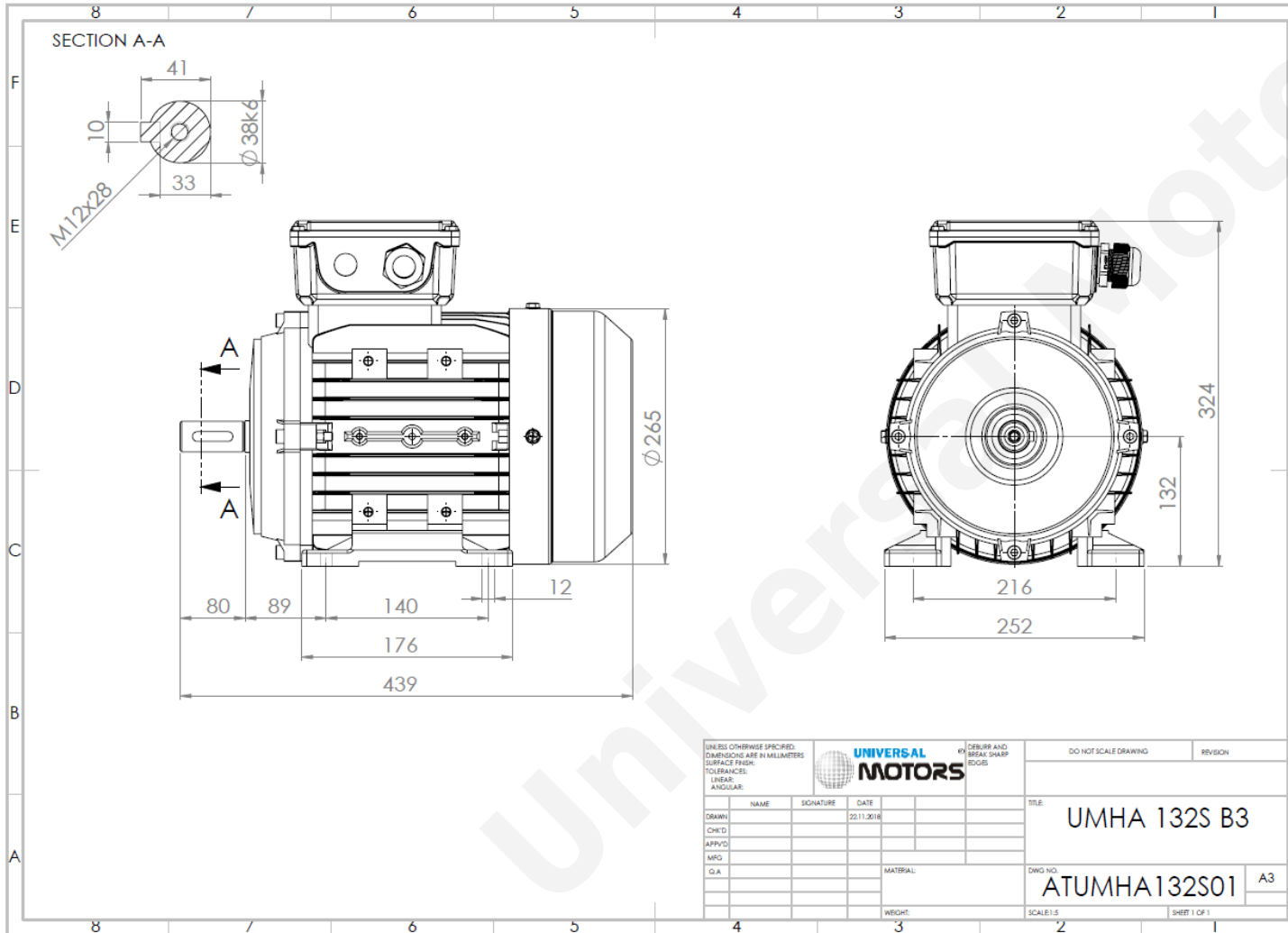


TECHNICAL DATA

Three Phase Electric Motors - Aluminum Frame
 UMHA 132SX-2 IE2
 7.5 kW / 10 Cv
 2915 RPM



Motor type:	UMHA 132SX-2 IE2
Output:	7.5 kW / 10 Cv
Speed (min ⁻¹):	2915 RPM
Voltage:	400 V
Frequency:	50 Hz
Current:	13.8 A
Power factor (Cos ϕ):	0.89
Poles:	2
Insulation class:	F
Temperature rise Class:	B
Efficiency 50%:	88.5 %
Efficiency 75%:	88.6 %
Efficiency 100%:	88.1 %
Torque:	24.6 N.m
Tstarting/Tnominal:	2.2
Istarting/Inominal:	7.8
Tmaximum/Tnominal:	2.3
Noise:	85 Db(A)
Weight:	52.0 Kg
Bearing DE:	6308 2Z C3
Bearing NDE:	6308 2Z C3

Regime - S1

Altitude - 1000m

Environment Temperature - 40°C

CONTACTS:

Universal Motors UK, Ltd
 Unit E2, Meltham Mills Industrial Estate, Meltham Mills Road, Meltham, Holmfirth
 West Yorkshire HD9 4AR, U.K

Tel: +44(0) 1484 660 222
 Fax: +44(0) 1484 660 333

Mail: enquiries@universalmotors-group.co.uk

* References applied only in the UK