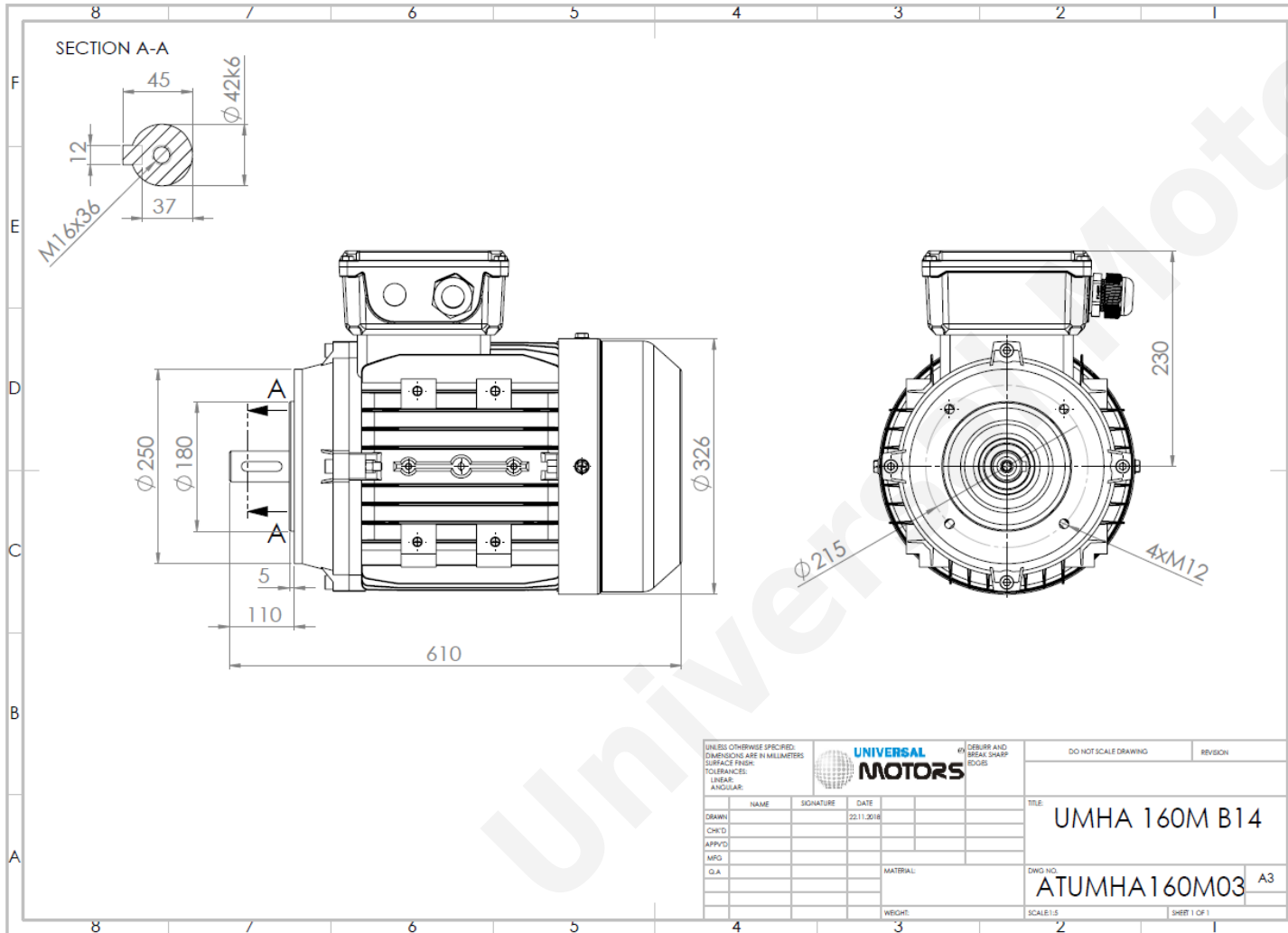


TECHNICAL DATA

Three Phase Electric Motors - Aluminum Frame
UMHA 160MX-2 IE2
15 kW / 20 Cv
2935 RPM



Motor type:	UMHA 160MX-2 IE2
Output:	15 kW / 20 Cv
Speed (min^{-1}):	2935 RPM
Voltage:	400 V
Frequency:	50 Hz
Current:	26.9 A
Power factor ($\text{Cos } \phi$):	0.89
Poles:	2
Insulation class:	F
Temperature rise Class:	B
Efficiency 50%:	90.1 %
Efficiency 75%:	90.6 %
Efficiency 100%:	90.3 %
Torque:	48.8 N.m
Tstarting/Tnominal:	2.2
Istarting/Inominal:	8.0
Tmaximum/Tnominal:	2.3
Noise:	87 Db(A)
Weight:	98.0 Kg
Bearing DE:	6309 2Z C3
Bearing NDE:	6309 2Z C3

Regime - S1

Altitude - 1000m

Environment Temperature - 40°C

CONTACTS:

Universal Motors UK, Ltd
Unit E2, Meltham Mills Industrial Estate, Meltham Mills Road, Meltham, Holmfirth
West Yorkshire HD9 4AR, U.K

Tel: +44(0) 1484 660 222

Fax: +44(0) 1484 660 333

Mail: enquiries@universalmotors-group.co.uk

* References applied only in the UK